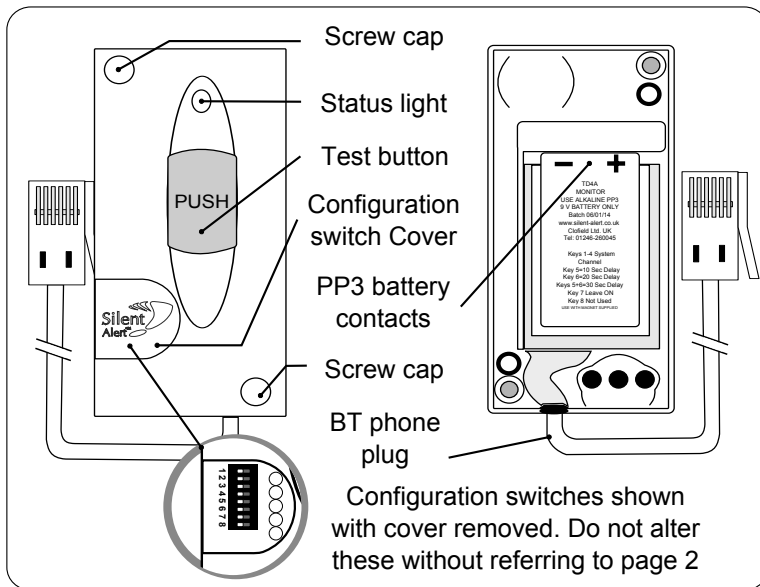


Quick start guide TD4A-2227-UK

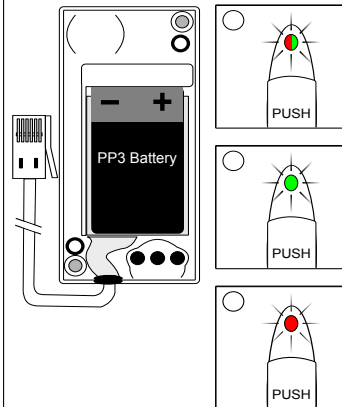
Mini telephone monitor



Any questions? Call us on free phone 0800 387 397



1. Install a 9 volt PP3 alkaline or lithium battery making sure to observe the correct polarity.

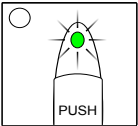


When a battery is first fitted the indicator light will flash red then green a few times.

The light will then will flash green several times to show the battery voltage.
9 flashes = 9Volts in the battery.

If the light flashes red at this point the battery is flat and will need to be replaced.

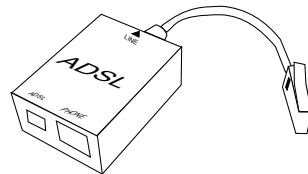
To repeat the battery check remove the battery, press the test button then re-insert the battery to start the sequence again.

2.  Press and hold the test button on the front of the monitor for around 10 seconds.

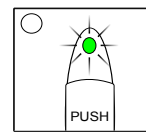
The light will shine green for a few seconds.
Check the Pager or SignWave receives a signal.

If you have a system channel code set on the receiver refer to the advanced settings overleaf.

3. Plug the mini monitor into a telephone socket. If the line is broadband enabled the monitor should be first connected to an ADSL microfilter (not supplied)



4. Ring the phone line the monitor is connected to.



The light will shine green when a call is detected and the monitor will transmit.

WARNING! Your device and its accessories are not toys. They may contain small parts. Keep them out of the reach of small children.

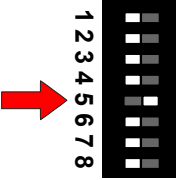
Advanced settings TD4A-2227-UK

Mini telephone monitor



Any questions? Call us on free phone 0800 387 397

It is possible for the monitor to send a person to person signal. This is ideal when two telephone lines need to be monitored.



Move key 5 to the right to change to person to person.

Press the test button and check the correct event is received by the Pager or SignWave

Changing the system channel code

NOTE. In most cases it is not necessary to change the system code. However, when one or more systems are in close proximity, system codes can be used to avoid interference from other SA3000 systems using up to a maximum of 16 channels.

The monitor is supplied with no system code switches set (system code 1). For reference this is the factory setting should you need to re-set the unit.

System codes can be set using key switches 1 - 4.

The diagram to the right shows the 16 possible combinations.

Be sure that the same system code is set on the receiver to be used and any other monitoring options in that system.

